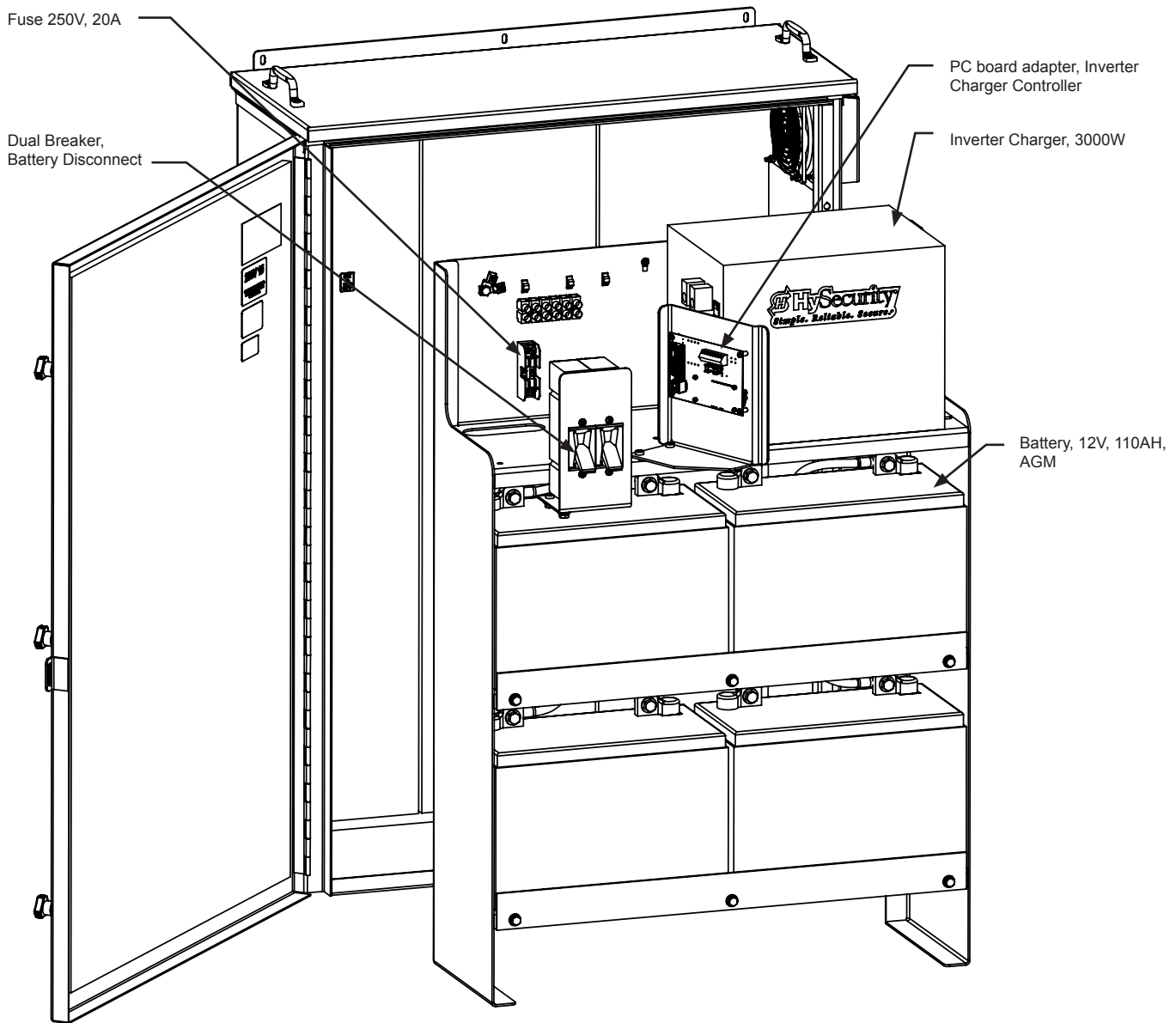


AC Power Supply w/HyInverter AC™

Part Diagrams



AC Power Supply with HyInverter AC



This drawing is a representation and should be used for parts reference only.

Part Name	Part Number	HyInverter AC
Battery, 12V, 110AH, AGM	MX000877	all
Dual Breaker, Battery Disconnect	MX3849	all
Fuse, 250V, 20A	MX002897	all
Inverter Charger, 3000W	MX002952	all
PC board adapter, Inverter Charger Controller	MX3511	all