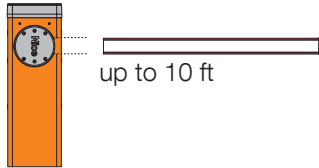


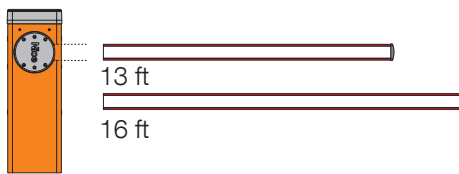


**M3BAR**



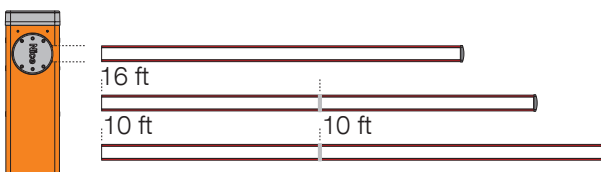
XBA15  
10 ft  
White paint-finished  
aluminium bar

**M5BAR**



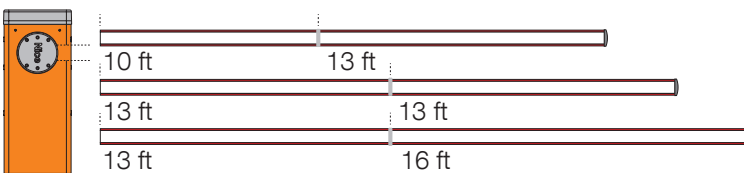
XBA14  
13 ft  
White paint-finished  
aluminium bar

**M7BAR**



XBA5  
16 ft  
White paint-finished  
aluminium bar

**L9BAR**



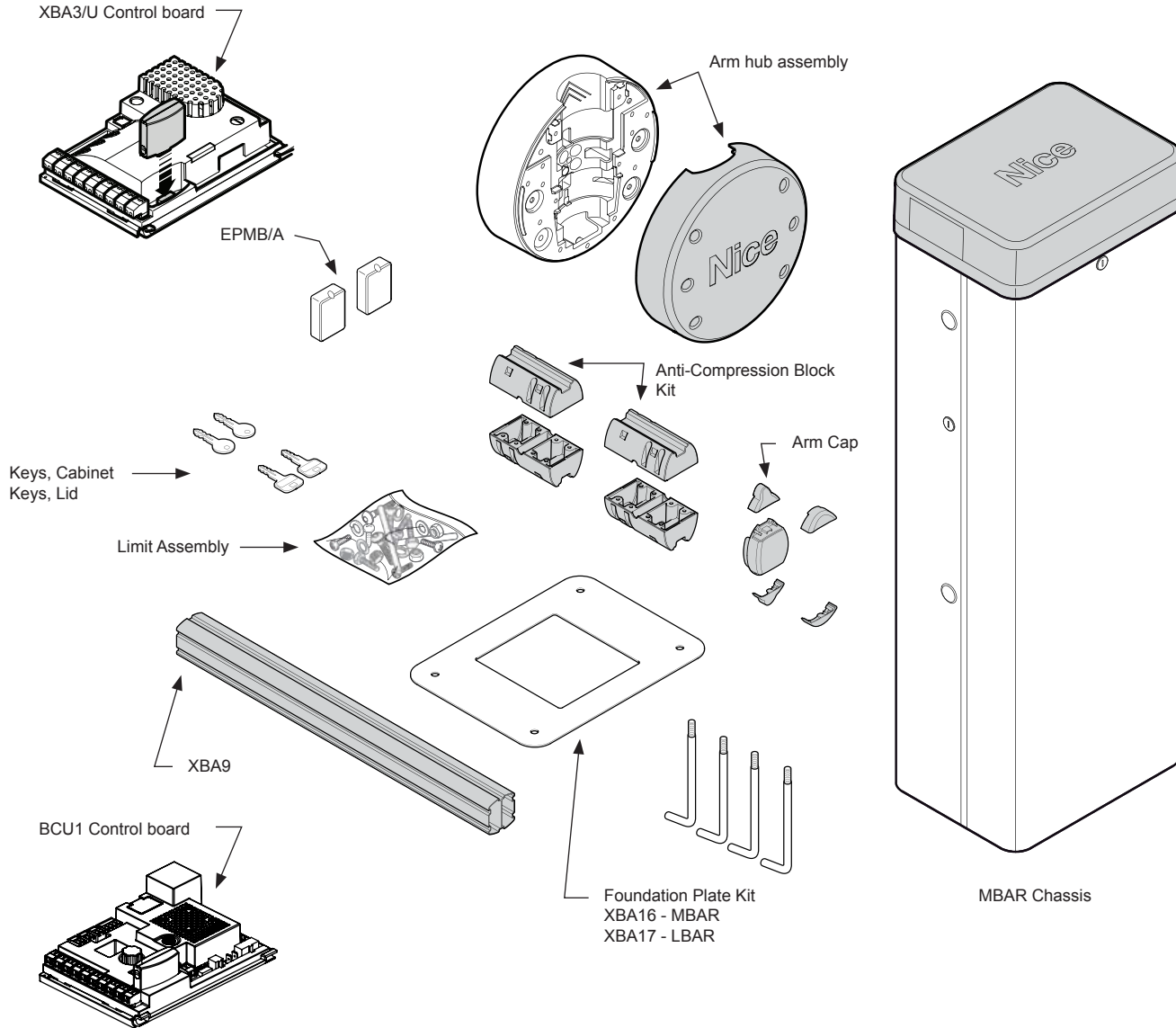
XBA9  
Expansion joint.

This drawing is a representation and should be used for parts reference only.

Part Name	Part Number	MBAR/LBAR Models
Barrier arm, XBA14	XBA14	M5BAR, M7BAR, L9BAR
Barrier arm, XBA15	XBA15	M3BAR, M5BAR, M7BAR
Barrier arm, XBA5	XBA5	L9BAR
Expansion Joint	XBA9	M7BAR, L9BAR



**Chassis, Drive and Electrical**



This drawing is a representation and should be used for parts reference only.

Part Name	Part Number	MBAR/LBAR Models
Anti-Compression Block Kit	20000155	M3BAR, M5BAR, M7BAR
Arm Cap	XBA21	all
Board, Control, XBA3/U, No Receiver	XBA3/U	all models built before January 1, 2019
Control Board, BCU1, New	BCU1	all models built after January 1, 2019
Expansion Joint	XBA9	M7BAR, L9BAR
Foundation Plate Kit, L9BAR	XBA17	L9BAR
Foundation Plate Kit, MBAR	XBA16	M3BAR, M5BAR, M7BAR
Keys, Chassis	CM-N1-1630	all
Limit Assembly	20000110	M3BAR, M5BAR, M7BAR
Photo eyes, Through beam, Medium Non-Adjustable w/ BlueBUS	EPMB/A	all