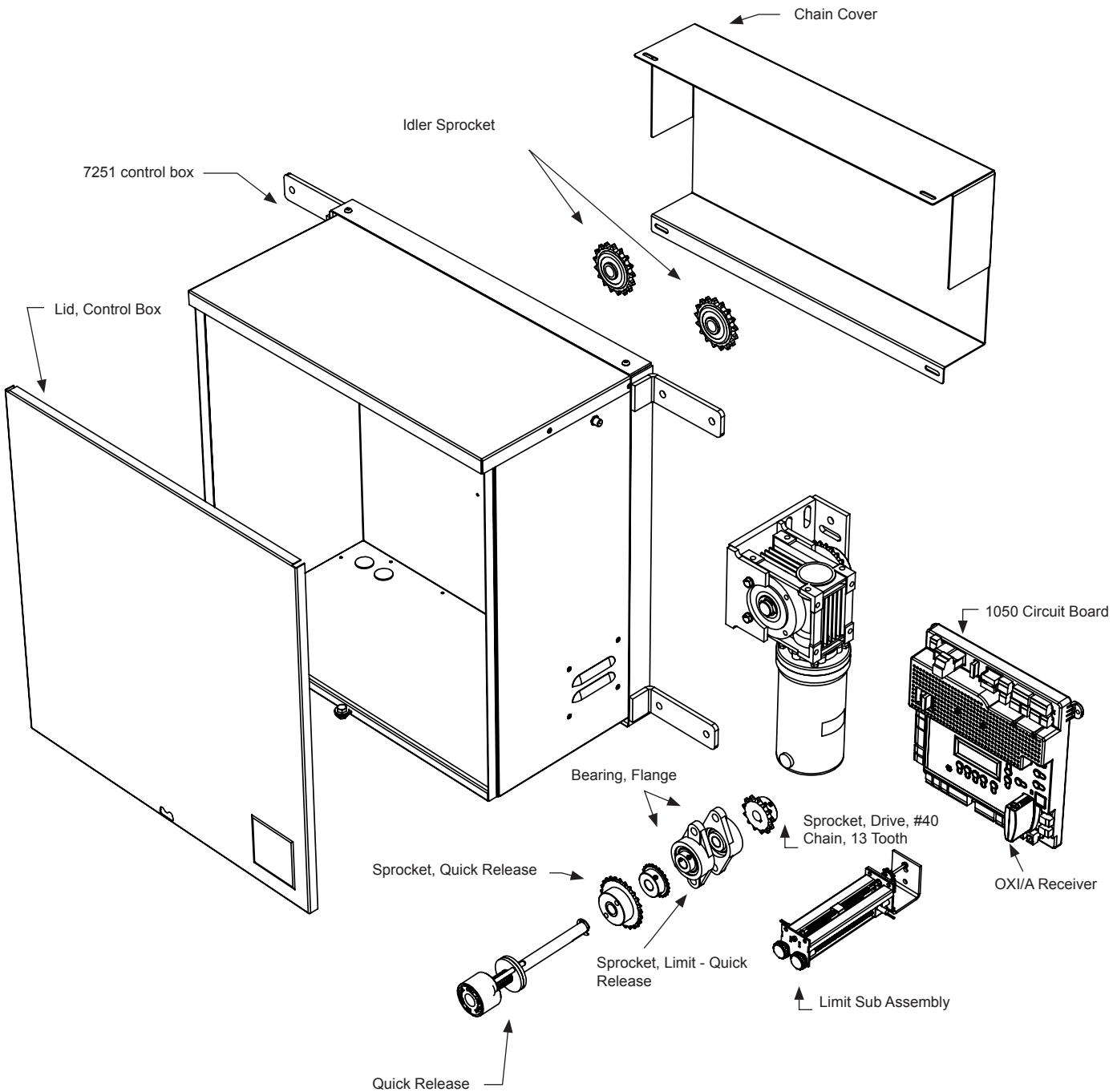


# Nice 7000 Slide

## Part Diagrams



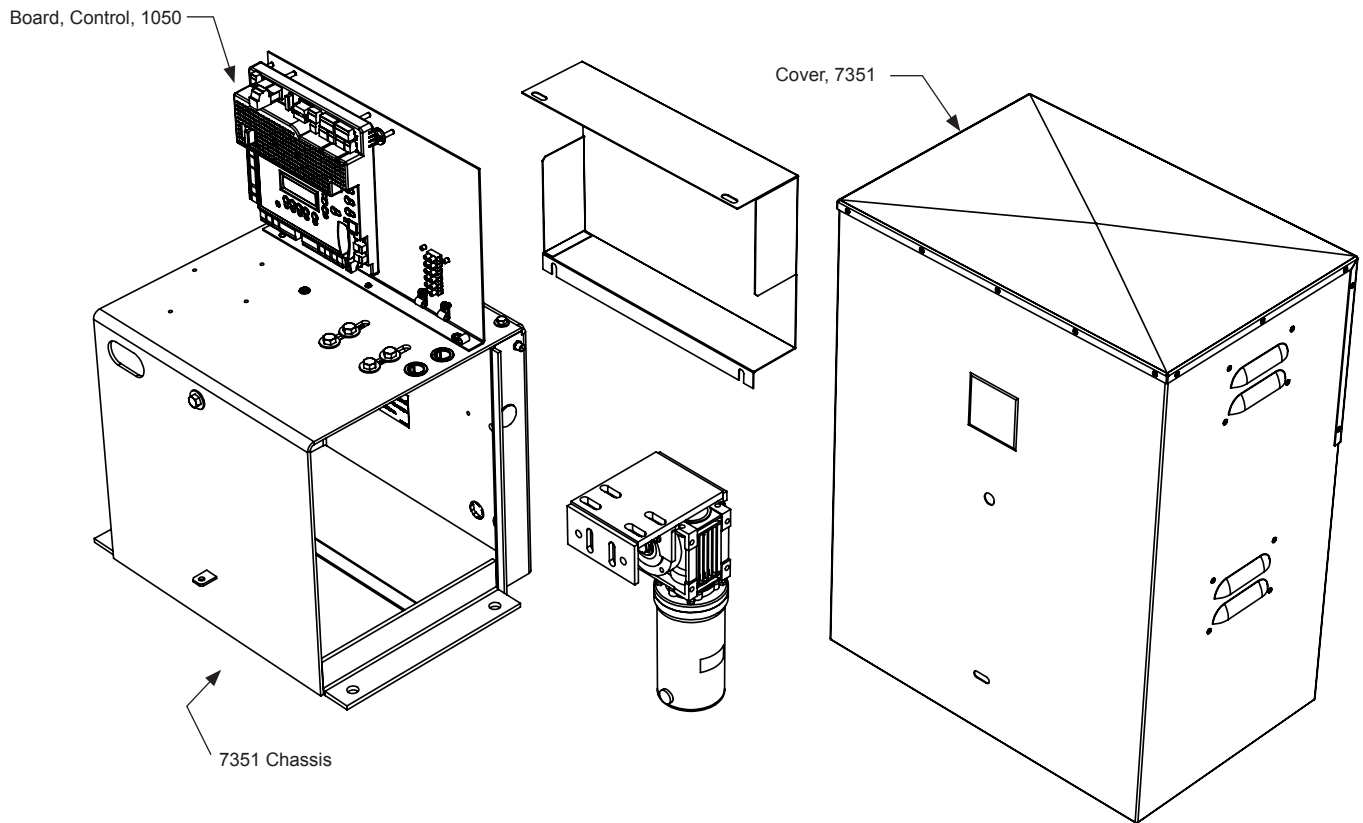
### 7251 post mount chassis and control board



This drawing is a representation and should be used for parts reference only.



**7351 pad mount chassis and control board**



This drawing is a representation and should be used for parts reference only.

Part Name	Part Number	7251/7351 Models
Bearing, Flange	UCFL202	all
Board, Control, 1050	1050US	all
Chain Cover	10032590	7251
Cover, 7351	10030490	7351
Lid, Control Box	10053890	7251
Limit Sub Assembly	10040390	all
Receiver, OXI/A, Multi Channel	OXI/A	all
Release, Quick	10039790	all
Sprocket, Drive, #40 Chain, 13 Tooth	40BS13	all
Sprocket, Idler	40BB17H	7251
Sprocket, Limit, Quick Release	25B24	all
Sprocket, Quick Release	35B25	all