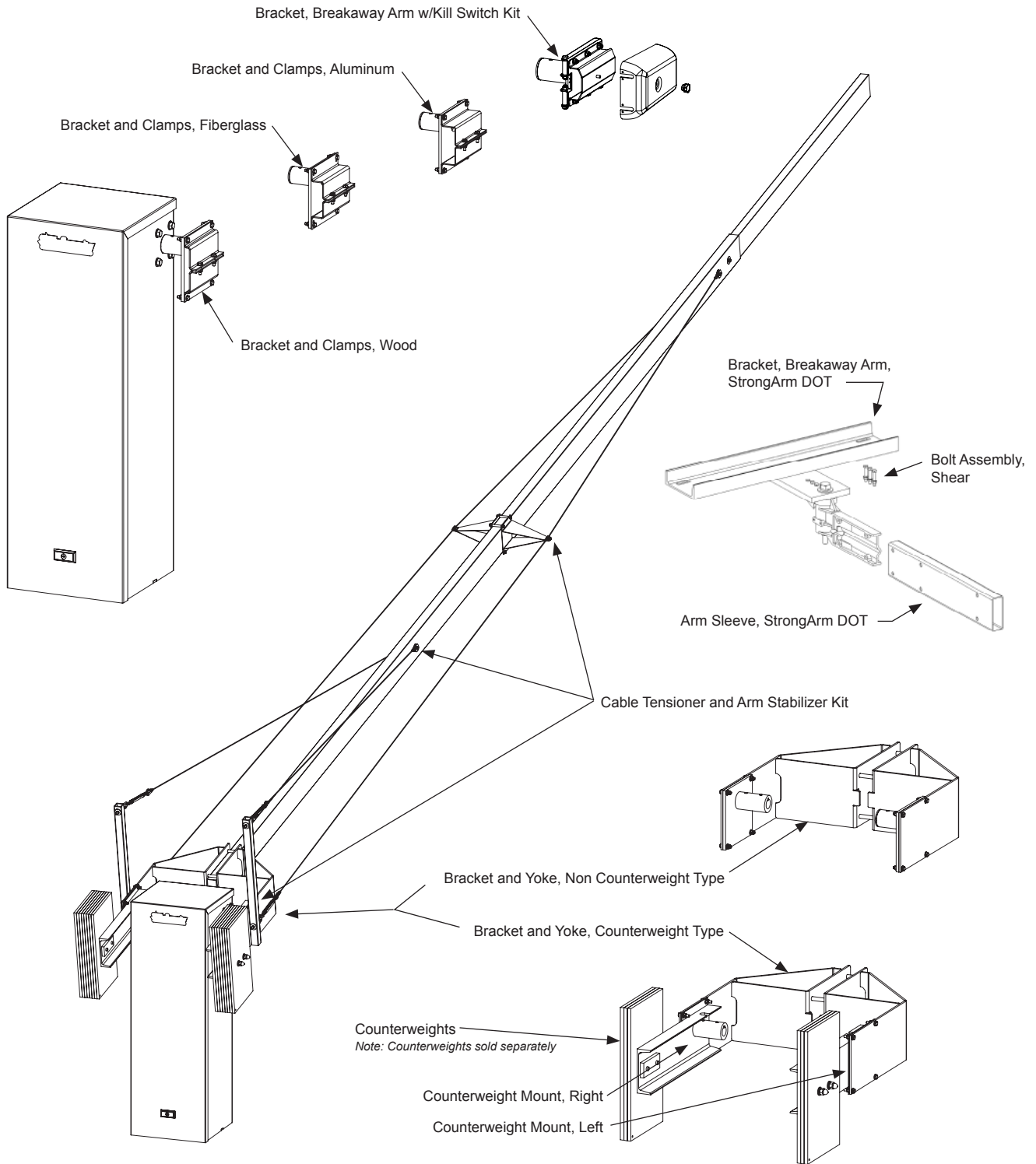




Part Diagrams

Arm Hardware



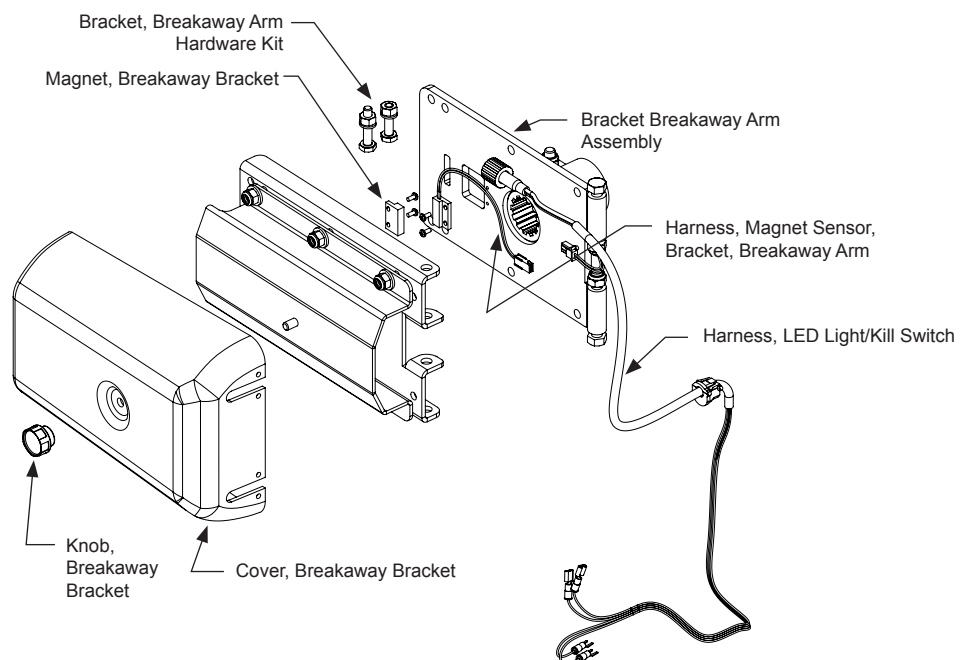
This drawing is a representation and should be used for parts reference only.



Arm Hardware

Part Name	Part Number	StrongArm Models
Arm Sleeve, StrongArmDOT 28	MX3346	DOT 28
Bolt Assembly, Shear	MX4203	DOT 28
Bracket and Clamps, Side Mount, Aluminum	MX001090	all side mounted aluminum arms
Bracket and Clamps, Side Mount, Fiberglass	MX001043	all side mounted fiberglass arms
Bracket and Clamps, Side Mount, Wood	MX001044	all side mounted wood arms
Bracket and Yoke, Counterweight Type	MX001046	all arms 20' and longer
Bracket and Yoke, Non-Counterweight Type	MX001047	all yoke mounted arms shorter than 20'
Bracket, Breakaway Arm w/Kill Switch Kit	MX3827	14F
Bracket, Breakaway Arm, StrongArmDOT 28	MX4202	DOT 28
Cable Tensioner and Arm Stabilizer Kit	MX001237	all yoke mounted arms 30' and longer
Counterweight Mount, Left	MX000641	all arms 20' and longer
Counterweight Mount, Right	MX000642	all arms 20' and longer
Counterweight, Barrier Arm	MX000566	all arms 20' and longer, see Arm Option for weight requirements
Cover, Breakaway Bracket, HyProtect™	MX3126	14F
Harness, LED Light/Kill Switch	MX4057	14F
Harness, Magnet Sensor, Breakaway Arm Bracket	MX3763	14F
Knob, Cover, Breakaway Arm Bracket w/Kill Switch	MX002653	14F
Lights, Flexible, 10 ft	MX4124-10	14F
Lights, Flexible, 12 ft	MX4124-12	14F
Lights, Flexible, 14 ft	MX4124-14	14F
Magnet, Breakaway Arm Bracket w/Kill Switch,	MX3764	14F

Bracket, Breakaway Arm w/Kill Switch Kit, StrongArm 14F

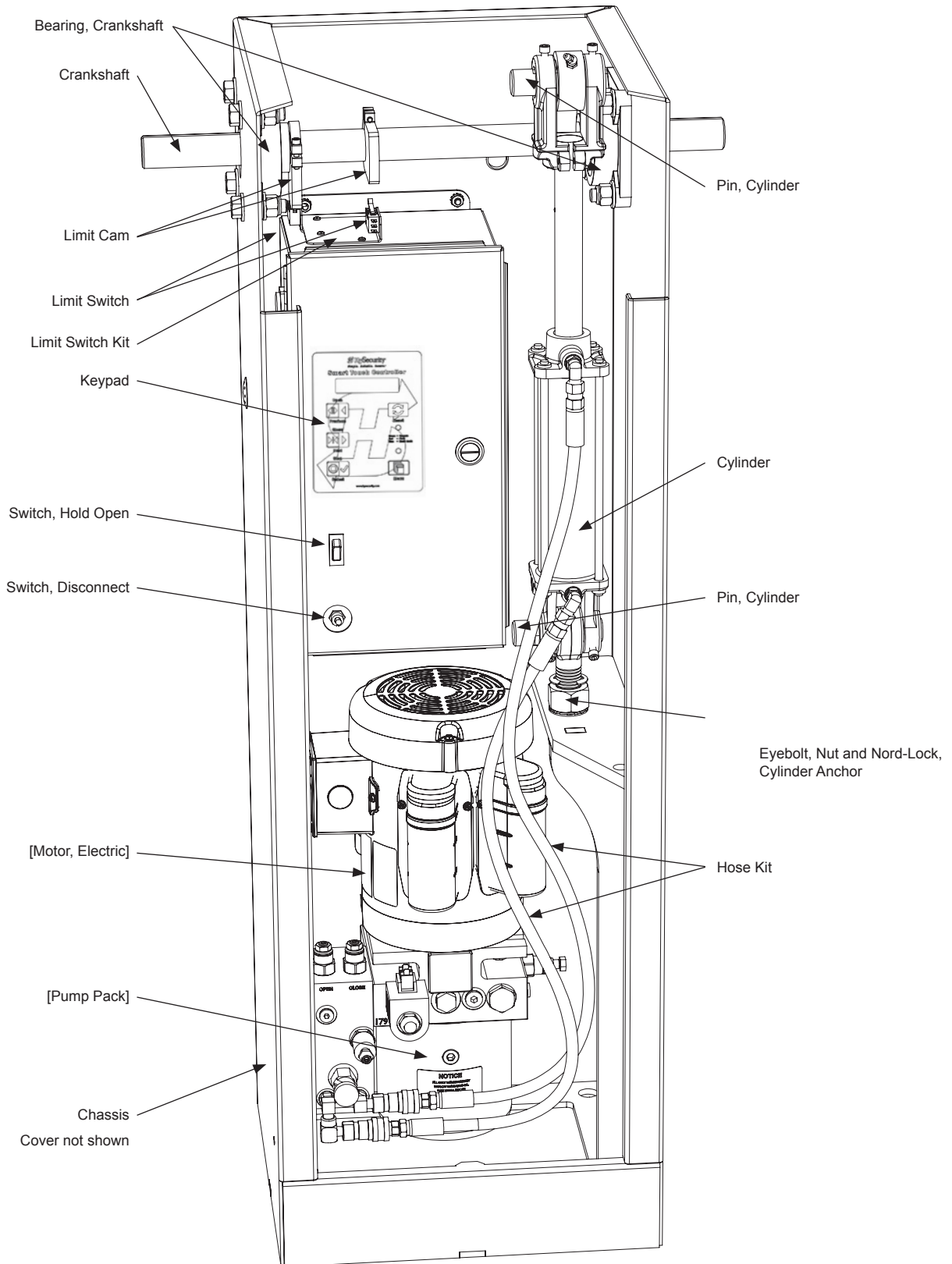


This drawing is a representation and should be used for parts reference only.



Part Diagrams

Chassis, Drive and Electrical

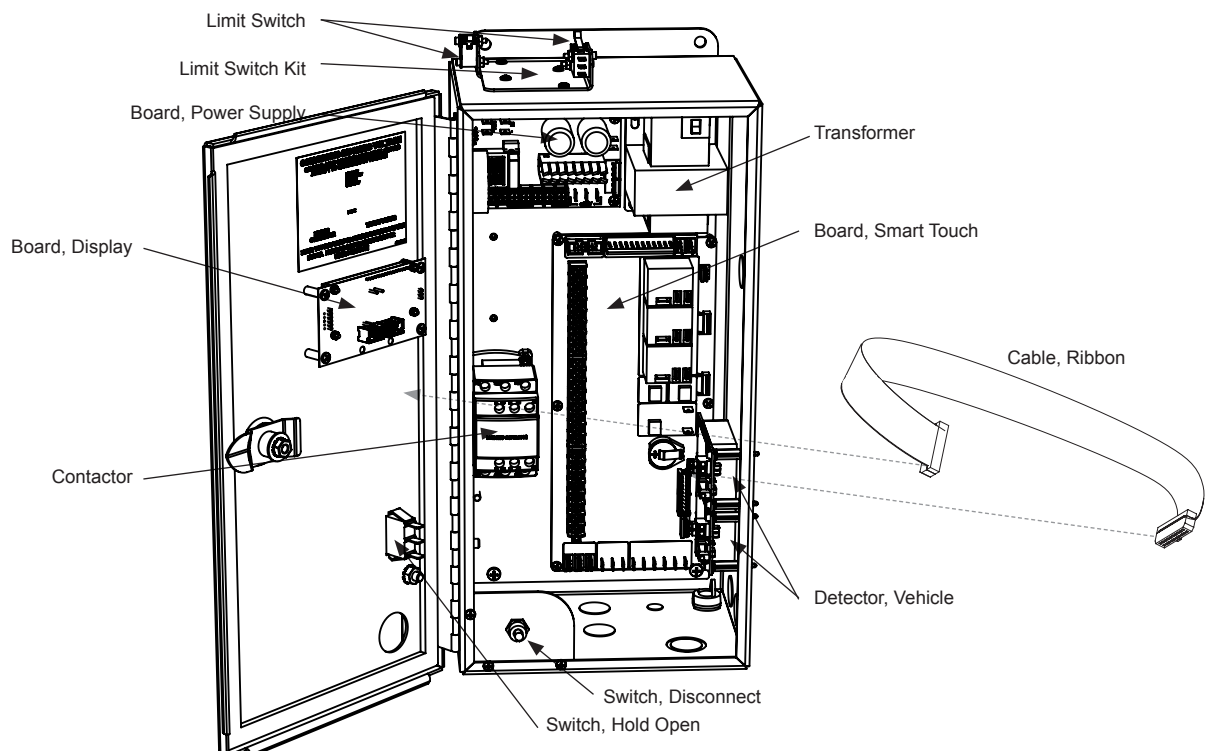


This drawing is a representation and should be used for parts reference only.



Chassis, Drive and Electrical

Part Name	Part Number	StrongArm Models
Bearing, Crankshaft, 4 Bolt	MX000306	all
Board, Display	MX3356	all
Board, Power Supply, AC	MX000487	all AC
Board, Power Supply, DC	MX000369	all DC
Board, Smart Touch Controller	MX000585-0	all
Cable, Ribbon, LCD	MX000046	all
Chassis, Replacement	MX000497	all
Contactor, Motor	MX000485	all AC
Cover, Replacement	MX000457	all
Crankshaft, Crank Bearing and Zerk	MX001100	all
Cylinder Kit	MX000077	all
Detector, Vehicle, Hy5B™	MX4125	all
Eyebolt, Nut and Nord-Lock, Cylinder Anchor	MX002467	all manufactured after 3/25/2011
Hose Kit, 2 Hoses	MX001386	all
Keypad, Smart Touch Controller	MX3399	all
Limit Cam	MX000299	all
Limit Switch	MX001777	all
Limit Switch Kit	MX001872	all
Pin, Cylinder, Stainless Steel	MX000312	all
Switch, Disconnect	MX000715	all
Switch, Hold Open	MX001240	all
Transformer, 24VAC Output, 75VA, 60/50Hz	MX001249	575VAC only
Transformer, 24VAC Output, 75VA, 60Hz	MX000486	all 60Hz AC except 575VAC

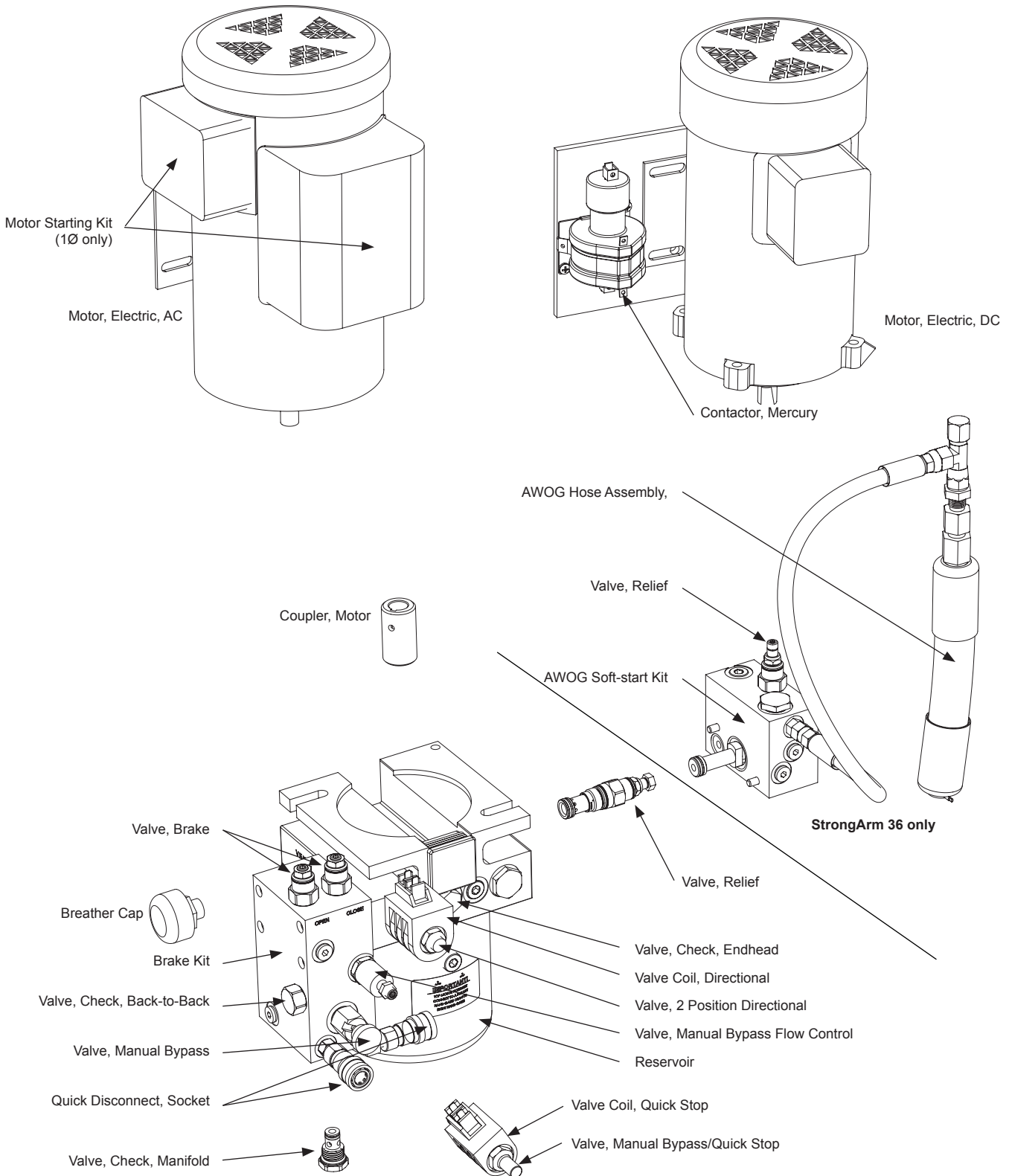


This drawing is a representation and should be used for parts reference only.



Part Diagrams

Pump Pack



This drawing is a representation and should be used for parts reference only.



Pump Pack

Part Name	Part Number	StrongArm Models
AWOG, Face Down	MX000618	36 (HTG 320-8)
Brake Kit, Manifold, StrongArm 14F, 20, 28, DOT28	MX000146	all except 36 (HTG 320-8)
Brake Kit, Manifold, StrongArm 36	MX000235	36 (HTG 320-8)
Breather Cap	MX000686	all
Contactor, Mercury	MX001098	all DC
Coupler, Motor, 5/8 inch Shaft, 6T	MX002054	all*
Coupler, Motor, 5/8 inch Shaft, 9T, Old	MX001650	all*
Motor Start Switch Kit, 3/4 hp	MX3753	all AC 60Hz 1Ø
Motor, Electric, 24VDC, 3/4 hp	MX001646	all DC
Motor, Electric, 60Hz, 3/4 hp, 1Ø, 3450 RPM, 115/208/230VAC	MX001910	all 115/208/230VAC 60Hz 1Ø
Motor, Electric, 60Hz, 3/4 hp, 3Ø, 3450 RPM, 208/230/460VAC	MX001634	all 208/230/460VAC 60Hz 3Ø
Pump Pack, StrongArm 14F	MX001951	14F (HTG 320-2), 60Hz
Pump Pack, StrongArm 20	MX001952	20 (HTG 320-3), 60Hz
Pump Pack, StrongArm 28	MX001953	28 (HTG 320-6), 60Hz
Pump Pack, StrongArm 36	MX001954	36 (HTG 320-8), 60Hz
Quick Disconnect, Socket, 1/8 inch	MX000169	all
Reservoir, 2 Qt	MX000162	all
Valve Coil, Directional, 24VDC	MX000184	all
Valve Coil, Quick Stop, 24VDC	MX000185	36 (HTG 320-8)
Valve, 2 Position Directional	MX000172	all
Valve, Brake	MX000234	all
Valve, Check, Back-to-Back	MX000233	all
Valve, Check, Endhead Main	MX000171	all
Valve, Check, Manifold	MX000229	all
Valve, Manual Bypass	MX000230	all except 36 (HTG 320-8)
Valve, Manual Bypass Flow Control, 3500 PSI	MX000231	all
Valve, Manual Bypass/Quick Stop	MX000222	36 (HTG 320-8)
Valve, Relief, 1500 PSI	MX000658	all except 36 (HTG 320-8)
Valve, Relief, Soft-Start Operators	MX000659	36 (HTG 320-8)

Call for 50Hz motors and pump packs

* Use MX002054 for operators manufactured after 6/1/2009, MX001650 for operators with pump packs manufactured before 6/1/2009.

See page 370 for DC Power Supply Part Diagram