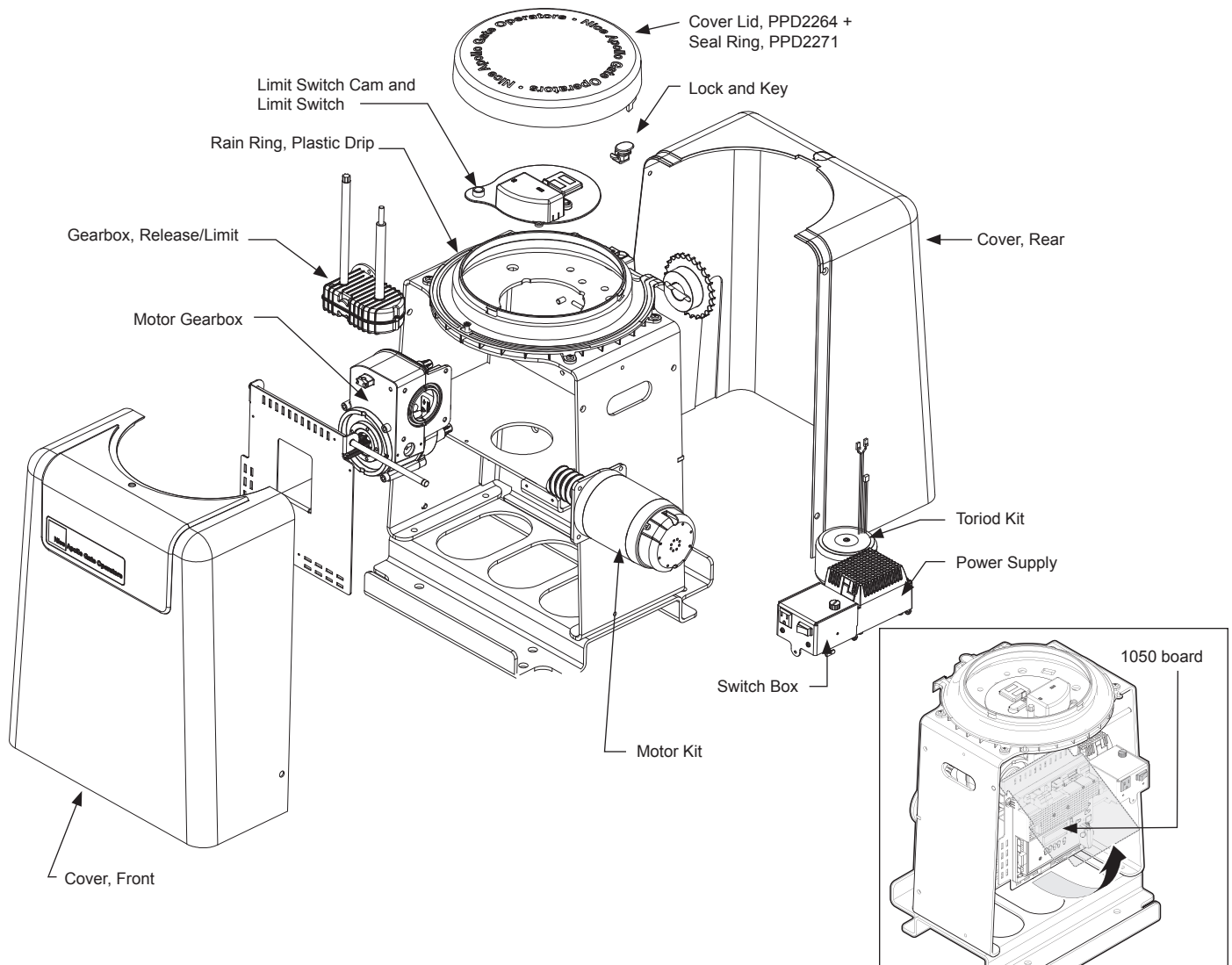




8300/8500 Chassis and Electric



This drawing is a representation and should be used for parts reference only.

Part Name	Part Number	8300/8500 Models
Board, Control, 1050	1050US	all
Cover, Front	PPD2262	all
Cover, Rear	PPD2263SL	all
Gearbox, Release/Limit	SPLSM00201	all
Limit Switch Cam	SPAMG046A00	all
Limit Switch, Superior	SPLSM00400	all
Lock and Key	SPREG00300	all
Motor Gearbox, 1/2 hp and 1 hp Motors	SPAMG039B00	all
Motor Kit, 1 hp	NAKM001	all
Motor Kit, 1/2 hp	NAKM002	all
Power Supply	NCO-PWRSUP	all
Switch Box	10055710	all
Toriod Kit	SPEG001A00A	all