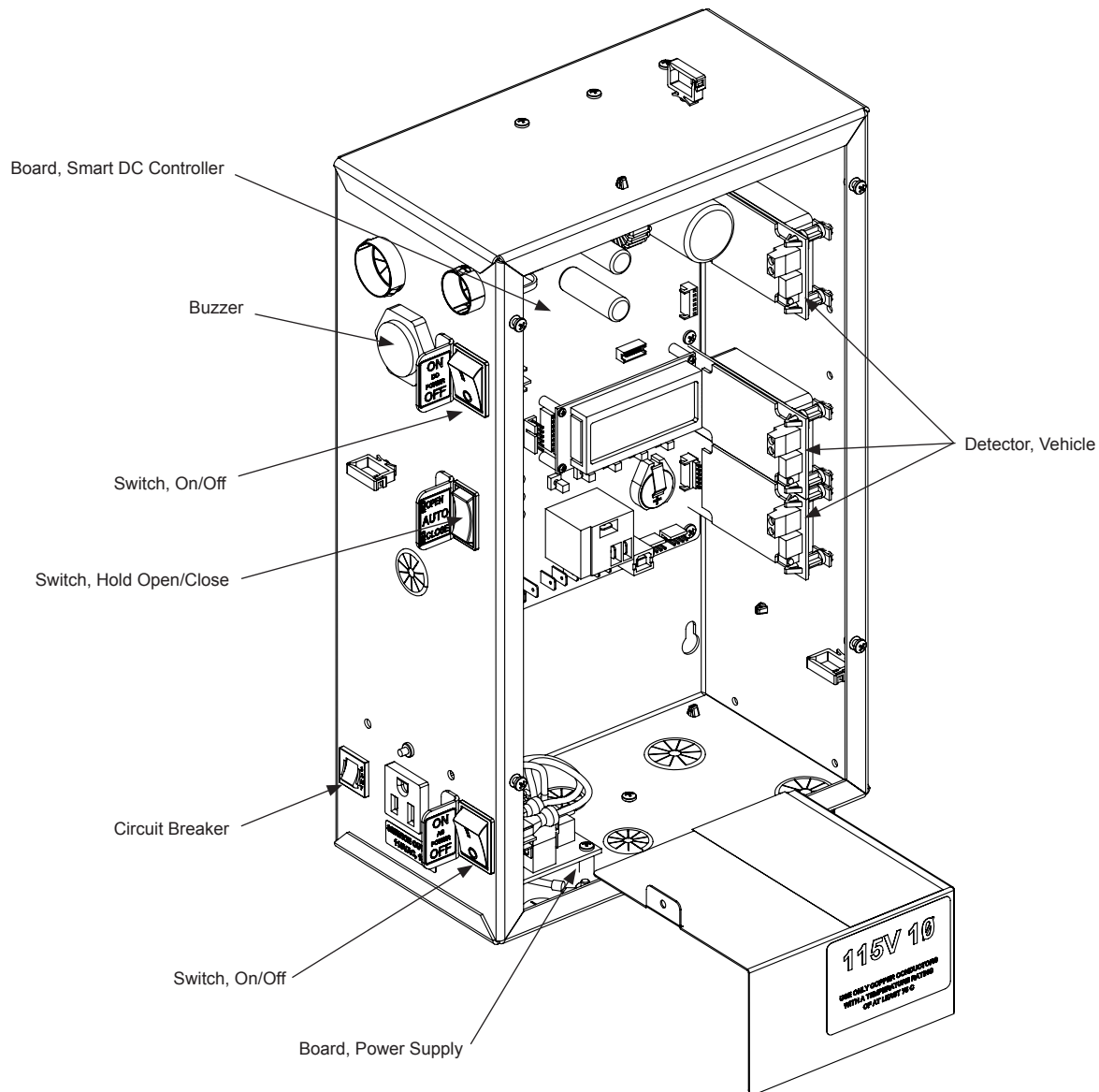




Electrical



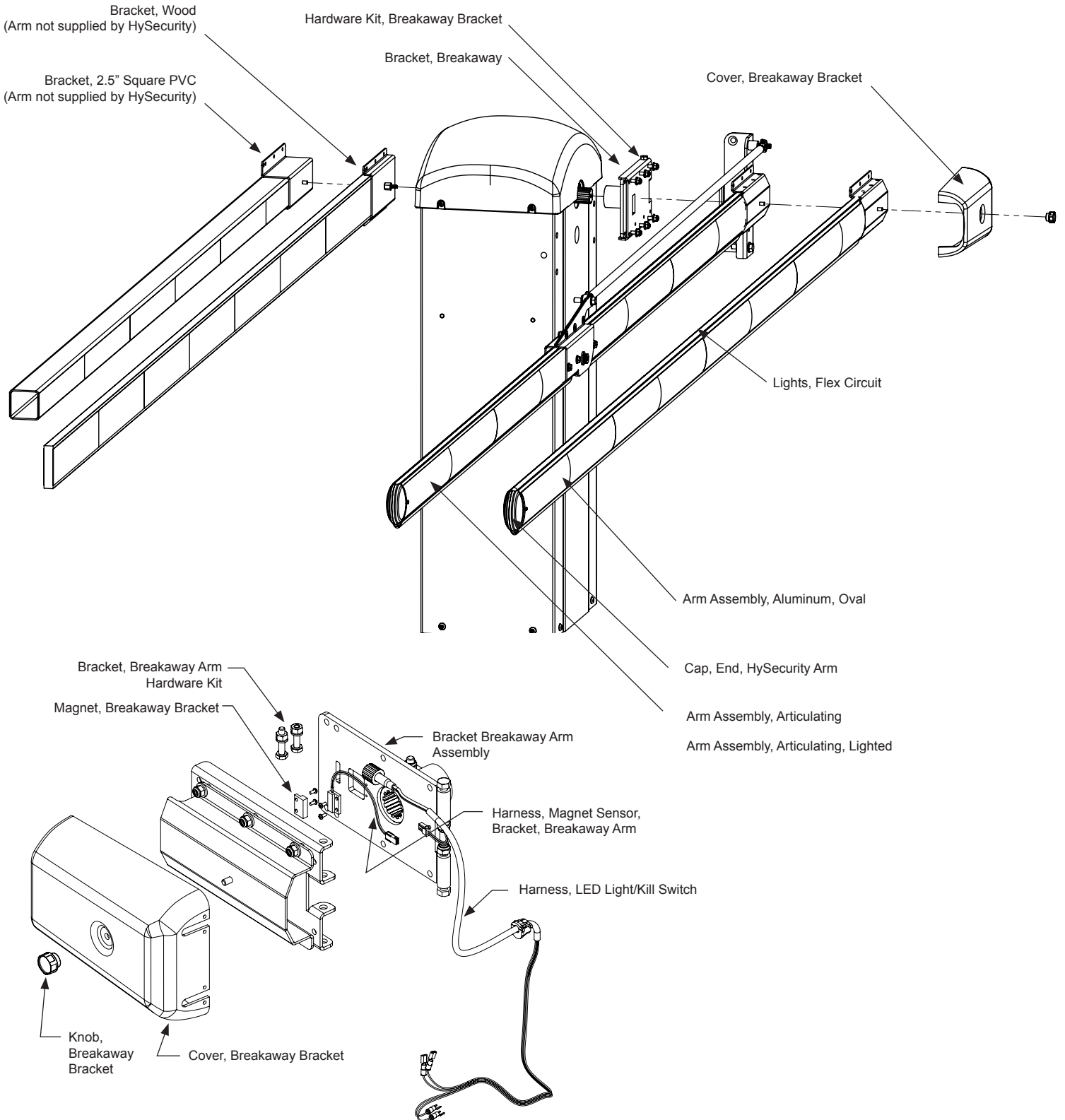
This drawing is a representation and should be used for reference only.

Part Name	Part Number	StrongArmPark DC Models
Board, Power Supply, 115/230VAC	MX001766	AC only
Board, Smart DC Controller	MX3037-0	all
Buzzer, Piezo	MX001036	all
Circuit Breaker, 15A	MX001760	Solar only
Circuit Breaker, 5A	MX3796	AC only
Detector, Vehicle, Hy5B™	MX4125	all
Reset Switch, Internal	MX002124	all
Switch, Hold Open/Hold Close	MX3011	all
Switch, On/Off	MX001761	all



Part Diagrams

Arm Hardware



This drawing is a representation and should be used for parts reference only.



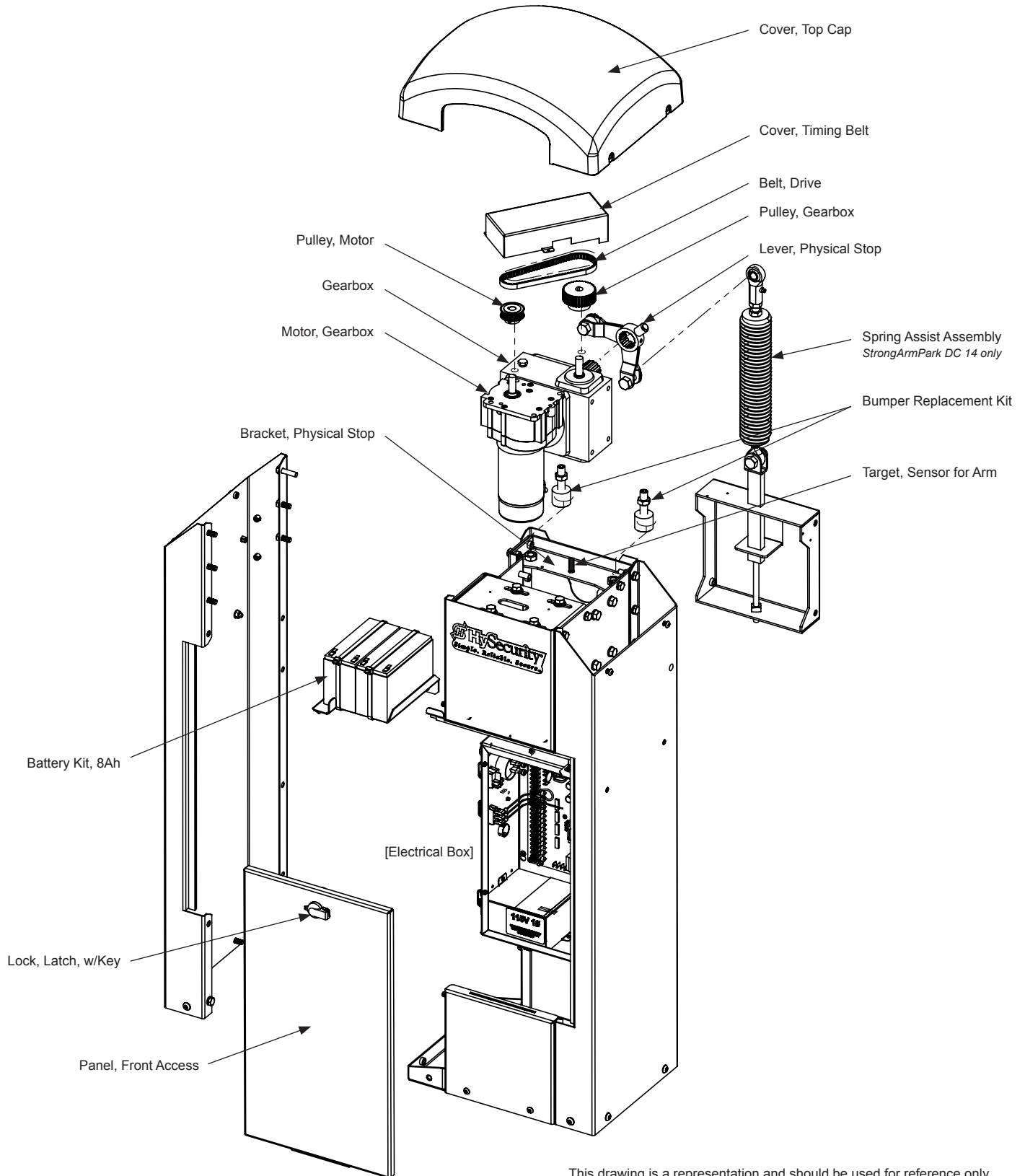
Arm Hardware

Part Name	Part Number	StrongArmPark DC Models
Arm Assembly, Aluminum, Oval, 8 ft	MX4182-08	DC 10
Arm Assembly, Aluminum, Oval, 9 ft	MX4182-09	DC 10
Arm Assembly, Aluminum, Oval, 10 ft	MX4182-10	DC 10
Arm Assembly, Aluminum, Oval, 12 ft	MX4182-12	DC 14
Arm Assembly, Aluminum, Oval, 14 ft	MX4182-14	DC 14
Arm Assembly, Articulating, 7 ft Vehicle Clearance	MX3114-06	DC 10
Arm Assembly, Articulating, 8 ft Vehicle Clearance	MX3114-01	DC 10
Arm Assembly, Articulating, 9 ft Vehicle Clearance	MX3114-02	DC 10
Arm Assembly, Articulating, Lighted, 7 ft Vehicle Clearance	MX4010-06	DC 10
Arm Assembly, Articulating, Lighted, 8 ft Vehicle Clearance	MX4010-01	DC 10
Arm Assembly, Articulating, Lighted, 9 ft Vehicle Clearance	MX4010-02	DC 10
Bracket, 2.5 inch Square PVC	MX002842	DC 10
Bracket, Breakaway Arm Assembly	MX3680	all
Bracket, Breakaway Arm, Hardware Kit	MX3104	all
Bracket, Cover, Breakaway Arm	MX002367	all
Bracket, Wood	MX002652	DC 10
Cap, End, Original Arm (Pre-2015 arm)	MX002807	all
Cap, End, Oval Arm	MX3555	all
Cover, Breakaway Bracket, HyProtect™	MX3126	all
Harness, LED Light/Kill Switch	MX4122	all
Harness, LED Lights (pre-April 2017)	MX4123	all prior to 4/15/2017
Harness, Magnet Sensor, Breakaway Arm Bracket	MX3763	all
Knob, Cover, Breakaway Arm Bracket w/Kill Switch	MX002653	all
Light Kit, Flexible, 8 ft (pre April 2017)	MX4225-08	DC 10
Light Kit, Flexible, 10 ft (pre April 2017)	MX4225-10	DC 10
Light Kit, Flexible, 12 ft (pre April 2017)	MX4225-12	DC 14
Light Kit, Flexible, 14 ft (pre April 2017)	MX4225-14	DC 14
Lights, Flexible, 8 ft	MX4124-08	DC 10
Lights, Flexible, 10 ft	MX4124-10	DC 10
Lights, Flexible, 12 ft	MX4124-12	DC 14
Lights, Flexible, 14 ft	MX4124-14	DC 14
Magnet, Breakaway Arm Bracket w/Kill Switch,	MX3764	all



Part Diagrams

Chassis, Drive and Electrical



This drawing is a representation and should be used for reference only.



Chassis, Drive and Electrical

Part Name	Part Number	StrongArmPark DC Models
Battery Kit, 8Ah, Replacement	MX002008	all
Belt, Drive	MX3544	all
Bumper Replacement Kit, Physical Stop	MX3103	all
Cover, Timing Belt	MX3048	all
Cover, Top	MX3125	all
Gearbox, with Oil	MX3270	all
Gearmotor, 24VDC, w/Hall Sensor	MX3585	all
Lever, Physical Stop, Assembly	MX3299	all
Lock, Latch w/Key	MX4104	all
Panel, Front Access	MX3292	all
Pulley, Gearbox, 36T, 15mm	MX001404	all
Pulley, Motor, 24T, 15 mm	MX3543	all
Spring Assist Assembly, StrongArmPark DC 14	MX002390	DC14
Target, Sensor, Arm	MX3219	all